

**Gene:** *Zfp287*

**Colony prefix:** MUCG

**ESC clone ID:** EPD0215\_5\_B06 #2

**Allele:** *Zfp287<sup>tm1b(EUCOMM)Wtsi</sup>*

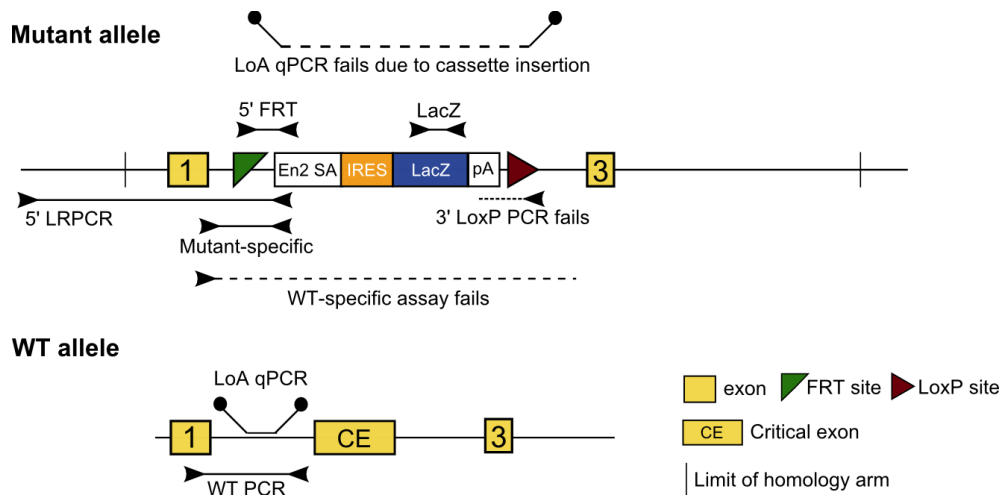
**Allele type:** Reporter-tagged deletion allele (post-cre)

**Allele information:**

Further information about the allele can be found on the 'International Mouse Phenotyping Consortium' (IMPC) web site at <http://www.mousephenotype.org/>  
Details on how to determine the floxed exon can be found at <http://www.i-dcc.org/kb/entry/21/>

**Mouse QC information**

**Promoter Driven:**



|                                     |                             |  |   |                         |    |
|-------------------------------------|-----------------------------|--|---|-------------------------|----|
| <b>Southern Blot</b>                | na                          | <b>TV Backbone Assay</b>                         | Inferred from parent colony               | <b>5' LR-PCR</b>        | na |
| <b>Loss of WT Allele (LOA) qPCR</b> | na                          | <b>Homozygous Loss of WT Allele (LOA) SR-PCR</b> | Undetermined/ Inferred from parent colony | <b>Neo Count (qPCR)</b> | na |
| <b>LacZ SR-PCR</b>                  | Inferred from parent colony | <b>5' Cassette Integrity</b>                     | Inferred from parent colony               | <b>Neo SR-PCR</b>       | na |
| <b>Mutant Specific SR-PCR</b>       | Inferred from parent colony | <b>LoxP Confirmation</b>                         | na  | <b>3' LR-PCR</b>        | na |
| <b>Genotyping Comment</b>           |                             |  |   |                         |    |

This technical data sheet and information ("Datasheet") is supplied by Genome Research Limited ("GRL").

Although reasonable care is taken in the preparation of this Datasheet, GRL gives no warranties express or implied for any use of the Datasheet or for the accuracy of the Datasheet. GRL assumes no responsibility or liability for any decisions based upon the Datasheet. Without limiting the foregoing the Datasheet was prepared for mice supplied directly from GRL and where copies of this Datasheet are available from third party repositories or distribution centres ("Third Parties") GRL shall not be liable for any inconsistency between the mouse strain supplied by the Third Party and the Datasheet howsoever arising.

Report Generated on: 10<sup>th</sup> September 2020

## Southern blot confirmation:

Southern blots are not routinely performed at the Sanger Institute due to throughput constraints. A southern blot experiment design tool can be found on the IKMC web site at <http://www.mousephenotype.org/>

## Links to information and frequently asked questions about the EUCOMM/KOMP alleles and MGP projects

General targeting strategies:  
<http://www.mousephenotype.org/about-ikmc/targeting-strategies>

IKMC allele types:  
<http://www.knockoutmouse.org/kb/entry/89/>

MGP mouse quality control tests :  
<http://www.knockoutmouse.org/kb/25/>

Allele conversion guide - genotyping tm1b, tm1c and tm1d mice:  
[http://www.infrarontier.eu/sites/infrarontier.eu/files/upload/public/pdf/Resources%20and%20Services/eucomm\\_komp-csd\\_allele\\_conversion\\_guide\\_v3a\\_2016.pdf](http://www.infrarontier.eu/sites/infrarontier.eu/files/upload/public/pdf/Resources%20and%20Services/eucomm_komp-csd_allele_conversion_guide_v3a_2016.pdf)

How the "critical" exon is decided:  
<http://www.i-dcc.org/kb/entry/102/>

## Genotyping Information

### Genotyping by end-point PCR

These mice may be genotyped through a combination of separate PCR reactions that detect the cassette, the gene-specific wild type allele, and a mutant allele-specific short range PCR. Interpretation of the consolidated results produces the genotype of the mice.

For example: cassette positive, mutant positive, wild type positive = heterozygous.

This technical data sheet and information ("Datasheet") is supplied by Genome Research Limited ("GRL").

Although reasonable care is taken in the preparation of this Datasheet, GRL gives no warranties express or implied for any use of the Datasheet or for the accuracy of the Datasheet. GRL assumes no responsibility or liability for any decisions based upon the Datasheet. Without limiting the foregoing the Datasheet was prepared for mice supplied directly from GRL and where copies of this Datasheet are available from third party repositories or distribution centres ("Third Parties") GRL shall not be liable for any inconsistency between the mouse strain supplied by the Third Party and the Datasheet howsoever arising.

Report Generated on: 10<sup>th</sup> September 2020

## PCRs primer pairs and expected size bands

| Assay Type   | Assay     | Forward Primer | Reverse Primer | Expected Size Band (bp) |
|--------------|-----------|----------------|----------------|-------------------------|
| Standard PCR | Wild type | Zfp287_303_F   | Zfp287_303_R   | 516                     |
| Standard PCR | Mutant    | Zfp287_303_F   | CAS_R1_Term    | 363                     |
| Standard PCR | Cassette  | LacZ_2_small_F | LacZ_2_small_R | 108                     |

## Primer sequences

| Primer Name    | Primer Sequence (5' > 3') |
|----------------|---------------------------|
| CAS_R1_Term    | TCGTGGTATCGTTATGCGCC      |
| LacZ_2_small_F | ATCACGACGCGCTGTATC        |
| LacZ_2_small_R | ACATCGGGCAAATAATATCG      |
| Zfp287_303_F   | AGAATTGTGCCCCAGAGAGG      |
| Zfp287_303_R   | ACTTCAGCGTCCGAGGAAAG      |

## Reaction setup

| Reagent                   | µl        |
|---------------------------|-----------|
| DNA (~50-100 ng)          | 1         |
| 10x Buffer                | 2         |
| MgCl <sub>2</sub> (50 mM) | 0.6       |
| Platinum Taq (Invitrogen) | 0.2       |
| dNTPs (100 mM)            | 0.2       |
| Primer 1 (10 µM)          | 0.4       |
| Primer 2 (10 µM)          | 0.4       |
| ddH <sub>2</sub> O        | 15.2      |
| <b>Total</b>              | <b>20</b> |

## Amplification conditions

| Step | Conditions            | Time    |
|------|-----------------------|---------|
| 1    | 94°C                  | 5 min   |
| 2    | 94°C                  | 30 sec  |
| 3    | 58°C                  | 30 sec  |
| 4    | 72°C                  | 45 sec  |
| 5    | Go to '2' + 34 cycles | -       |
| 6    | 72°C                  | 5 min   |
| 7    | 12°C                  | forever |

This technical data sheet and information ("Datasheet") is supplied by Genome Research Limited ("GRL").

Although reasonable care is taken in the preparation of this Datasheet, GRL gives no warranties express or implied for any use of the Datasheet or for the accuracy of the Datasheet. GRL assumes no responsibility or liability for any decisions based upon the Datasheet. Without limiting the foregoing the Datasheet was prepared for mice supplied directly from GRL and where copies of this Datasheet are available from third party repositories or distribution centres ("Third Parties") GRL shall not be liable for any inconsistency between the mouse strain supplied by the Third Party and the Datasheet howsoever arising.

Report Generated on: 10<sup>th</sup> September 2020

## Genotyping using universal copy number qPCR assays designed to the selection cassette

The cassette qPCR assays use a hydrolysis probe assay (eg Applied Biosystems TaqMan technology) to determine genotype via the copy number of the selection cassette in a sample. Homozygotes will possess two copies, heterozygotes one copy and wild type mice will show no amplification when compared to known homozygote controls.

These FAM®-labeled assays are multiplexed with a VIC® labeled endogenous control assay (for example TaqMan® Copy Number Reference Assay, Mouse, Tfr; Applied Biosystems part #4458366).

Please note that these assays are not gene-specific – other information should be used in conjunction with the universal cassette assays (for example the mutant-specific srPCR) when confirming the gene identity.

| Primer type | Assay Name | Forward Primer Seq.  | Reverse Primer Seq. | Probe Primer Seq.              |
|-------------|------------|----------------------|---------------------|--------------------------------|
| Cassette    | LacZ_reg   | GGAGTGCGATCTTCCTGAGG | CGCATCGTAACCGTGCATC | CGATACTGTCGTCGTCCTCCCTCAAACCTG |

Reactions are performed in a 10µl volume using an Applied Biosystems 7900HT Fast Real-Time PCR System or Applied Biosystems Vii7 with DNA prepared using the Sample-to-SNP™ kit (Applied Biosystems) from mouse ear biopsies. GTXpress™ buffer is also used (Applied Biosystems).

| Reagent                  | µl  |
|--------------------------|-----|
| 2x GTXpress™ buffer      | 5   |
| 20x target assay         | 0.5 |
| ddH2O                    | 3   |
| Tfr endogenous 20x assay | 0.5 |
| DNA                      | 1   |

### Amplification conditions

| Step | Conditions            | Time   |
|------|-----------------------|--------|
| 1    | 95°C                  | 20 sec |
| 2    | 95°C                  | 10 sec |
| 3    | 60°C                  | 30 sec |
| 4    | Go to '2' + 34 cycles | -      |

This technical data sheet and information ("Datasheet") is supplied by Genome Research Limited ("GRL").

Although reasonable care is taken in the preparation of this Datasheet, GRL gives no warranties express or implied for any use of the Datasheet or for the accuracy of the Datasheet. GRL assumes no responsibility or liability for any decisions based upon the Datasheet. Without limiting the foregoing the Datasheet was prepared for mice supplied directly from GRL and where copies of this Datasheet are available from third party repositories or distribution centres ("Third Parties") GRL shall not be liable for any inconsistency between the mouse strain supplied by the Third Party and the Datasheet howsoever arising.

Report Generated on: 10<sup>th</sup> September 2020

## Relevant publications

- Ryder, E., Doe, B., Gleeson, D., Houghton, R., Dalvi, P., Grau, E., Ramirez-Solis, R. (2013). Rapid conversion of EUCOMM/KOMP-CSD alleles in mouse embryos using a cell-permeable Cre recombinase. *Transgenic research*. 23(1), 177–185.
- Ryder, E., Gleeson, D., Sethi, D., Vyas, S., Miklejewska, E., Dalvi, P., Habib, B., Cook, R., Hardy, M., Jhaveri, K., et al. (2013). Molecular Characterization of Mutant Mouse Strains Generated from the EUCOMM/KOMP-CSD ES Cell Resource. *Mamm. Genome*, 24, 286–294.
- White, J.K., Gerdin, A.-K., Karp, N.A., Ryder, E., Buljan, M., Bussell, J.N., Salisbury, J., Clare, S., Ingham, N.J., Podrini, C., et al. (2013). Genome-wide Generation and Systematic Phenotyping of Knockout Mice Reveals New Roles for Many Genes. *Cell* 154, 452–464.
- Ryder, E., Wong, K., Gleeson, D., Keane, T.M., Sethi, D., Vyas, S., Wardle-Jones, H., Bussell, J.N., Houghton, R., Salisbury, J., et al. (2013). Genomic analysis of a novel spontaneous albino C57BL/6N mouse strain. *Genesis* 51, 523–528.
- Bradley, A., Anastassiadis, K., Ayadi, A., Battey, J.F., Bell, C., Birling, M.-C., Bottomley, J., Brown, S.D., Bürger, A., Bult, C.J., et al. (2012). The mammalian gene function resource: the international knockout mouse consortium. *Mamm Genome* 23, 580–586.
- Birling, M.-C., Dierich, A., Jacquot, S., Héroult, Y., and Pavlovic, G. (2011). Highly-efficient, fluorescent, locus directed Cre and floxer mice on a pure C57BL/6N genetic background. *Genesis*.
- Skarnes, W.C., Rosen, B., West, A.P., Koutsourakis, M., Bushell, W., Iyer, V., Mujica, A.O., Thomas, M., Harrow, J., Cox, T., et al. (2011). A conditional knockout resource for the genome-wide study of mouse gene function. *Nature* 474, 337–342.
- Pettitt, S.J., Liang, Q., Rairdan, X.Y., Moran, J.L., Prosser, H.M., Beier, D.R., Lloyd, K.C., Bradley, A., and Skarnes, W.C. (2009). Agouti C57BL/6N embryonic stem cells for mouse genetic resources. *Nat Methods* 6, 493–495.
- Liang, Q., Conte, N., Skarnes, W.C., and Bradley, A. (2008). Extensive genomic copy number variation in embryonic stem cells. *Proc Natl Acad Sci U S A* 105, 17453–17456.
- Farley, F.W., Soriano, P., Steffen, L.S., and Dymecki, S.M. (2000). Widespread recombinase expression using FLP<sub>eR</sub> (flipper) mice. *Genesis* 28, 106–110.

This technical data sheet and information ("Datasheet") is supplied by Genome Research Limited ("GRL").

Although reasonable care is taken in the preparation of this Datasheet, GRL gives no warranties express or implied for any use of the Datasheet or for the accuracy of the Datasheet. GRL assumes no responsibility or liability for any decisions based upon the Datasheet. Without limiting the foregoing the Datasheet was prepared for mice supplied directly from GRL and where copies of this Datasheet are available from third party repositories or distribution centres ("Third Parties") GRL shall not be liable for any inconsistency between the mouse strain supplied by the Third Party and the Datasheet howsoever arising.

Report Generated on: 10<sup>th</sup> September 2020